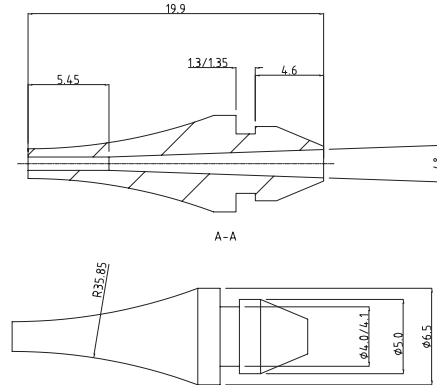
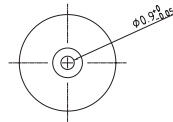


## EFA70 07 001 Strain Relief Boot 900 Micron Fiber



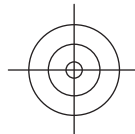
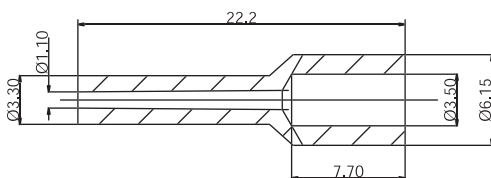
### Features

- Provides added protection to 900 micron fiber while routing through a hole



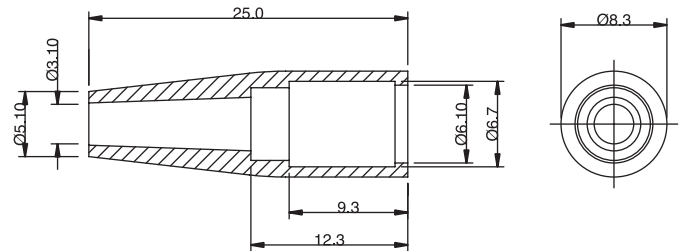
A Europlus/Richco Product	
<b>Material: TPE, RMS-185; Color: Black</b>	
<b>Standard Pack: 500 per bag</b>	
EFA70 07 001	
<b>All dimensions in millimeters</b>	

## EFA70 01 XXX 900 Micron Boot



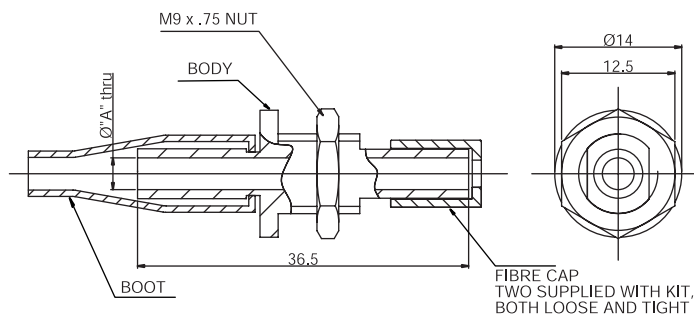
A Europlus/Richco Product	
<b>Material: TPE, RMS-185</b>	
<b>Standard Pack: 500 per bag</b>	
Part Number	Color
EFA70 01 001	Black
EFA70 01 002	Blue
EFA70 01 003	Green
EFA70 01 004	Red
EFA70 01 005	White
<b>All dimensions in millimeters</b>	

## EFA70 02 XXX Short Buffered Fiber Boot



A Europlus/Richco Product	
<b>Material: TPE, RMS-185</b>	
<b>Standard Pack: 500 per bag</b>	
Part Number	Color
EFA70 02 001	Green
EFA70 02 002	Black
EFA70 02 003	Beige
EFA70 02 004	Red
<b>All dimensions in millimeters</b>	

## EFA52 XX ASS Quick Panel Mount Strain Relief Gland



### Features

- Provides added protection to jacketed and bare fiber while routed through a hole

A Europlus/Richco Product	
<b>Material: Flame Retardant Nylon 6 UL 94 V0, RMS-178; Color: Black</b>	
<b>Standard Pack: 250 per bag</b>	
Part Number	"A"
EFA52 02 ASS	3.5
EFA52 05 ASS	2.5
<b>All dimensions in millimeters</b>	